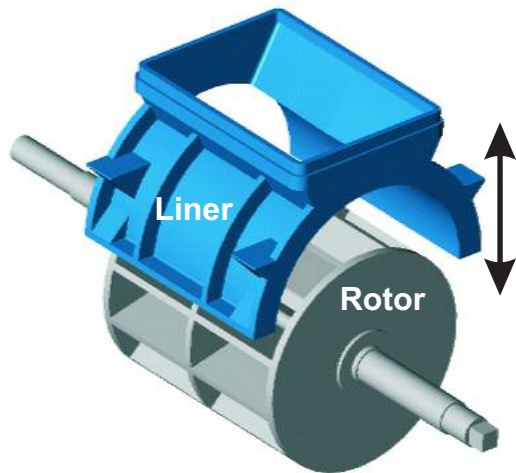
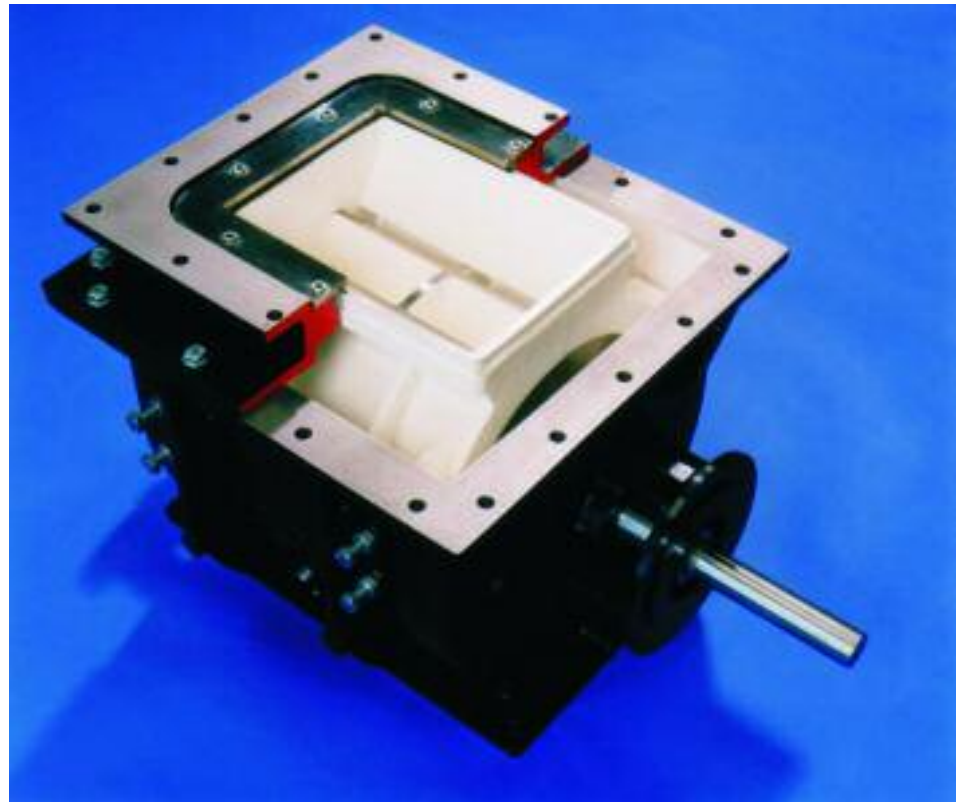




# Rotary Valves

## TWA Extreme Duty



### Description

The TWA extreme duty rotary valve is a dramatic change in design from standard rotary valve technology. The 500 Brinell Ni-hard rotor and liner lasts far longer than even a tungsten carbide coating. As the valve wears, the liner can be adjusted with the valve in-situ to compensate. When worn to its limit, the rotor can be reconditioned and a new liner fitted, making the TWA's long term running costs far less than a standard unit. The use of mechanical shaft seals as standard has eliminated a major maintenance headache- the shaft seals are virtually maintenance free.

### Applications

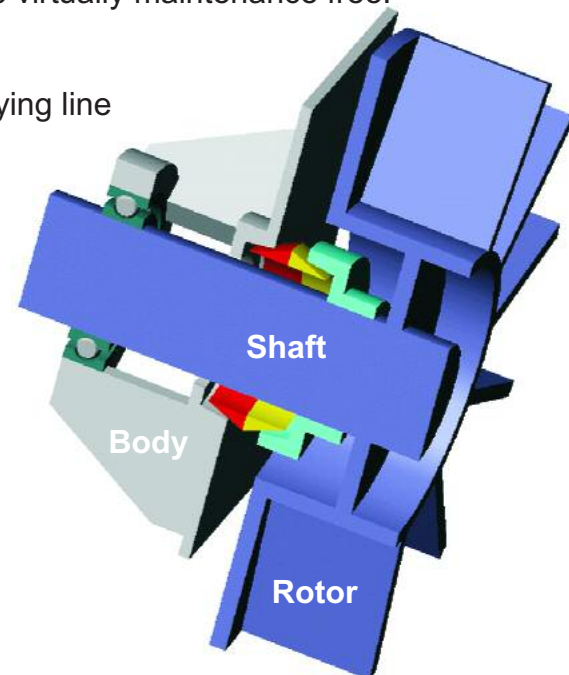
- Providing an airlock between a silo and a pneumatic conveying line
- Feeding and metering abrasive powders and granules

### Standard Features

- Ni-hard rotor
- Ni-hard liner adjustable for wear
- Mechanical, virtually maintenance free shaft seals
- Air purge facility
- Direct, maintenance free IP55 gearmotor
- Outrigged, sealed for life bearings
- Rotor and liner removable for reconditioning

### Optional features

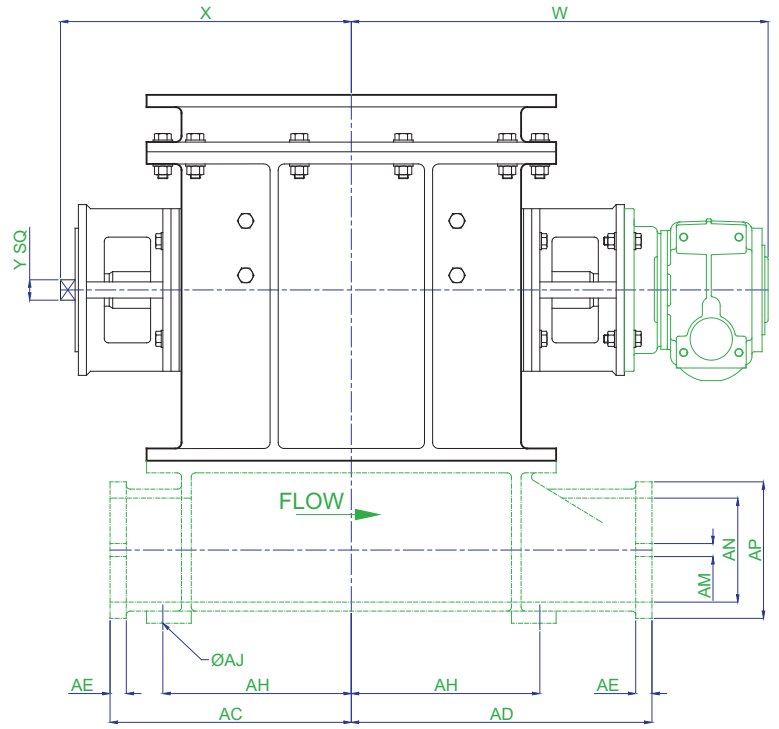
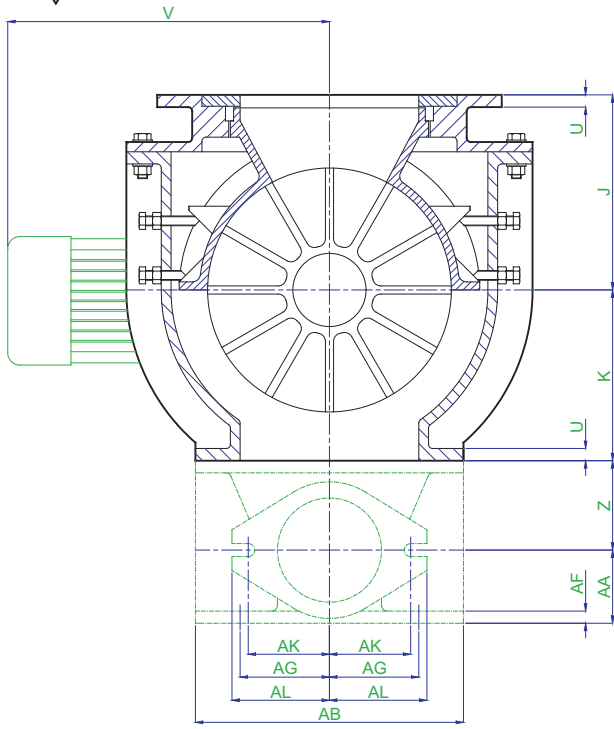
- Ceramic lined rotor and liner
- High temperature version with gland packer shaft seals
- Chain drive
- Drop out box for pneumatic conveying lines



 Mechanical seal

### Midland Industrial Designers Limited

Common Lane, Watnall, Nottingham, England NG16 1HD  
T: (+44)(0)115 9382154 F: (+44)(0)115 9386315  
E: enquiry@mid.uk.com W: www.mid.uk.com  
Manufacturers of powder handling equipment since 1959



Size A	B	C	D	E	F	G	H	J	K	L	M	N	O	P	Q	R	S	T	U	V	W	X	Y	Z	AA	AB	AC	AD	AE	AF	AG	AH	AJ	AK	AL	AM	AN	AP	AQ	l/rev	ft <sup>3</sup> /rev			
200	150	366	316	276	150	366	240	168	160	111	94	16	96	112	77	90	90	59	12	270	418	295	20	60	55	240	223	248	15	12	90	167	14	70	85	14	76	106	12	3.4	0.12			
250	190	416	356	326	190	416	280	204	170	128	108	16	108	128	96	96	100	74	15	270	456	339	25	80	75	280	248	308	15	15	100	192	14	85	100	14	102	132	12	7	0.25			
300	220	504	424	394	220	504	330	240	210	116	96	20	4	4	107	125	120	85	15	360	525	358	25	110	90	330	297	370	20	15	110	232	16	100	120	16	128	168	14	14	0.5			
350	260	564	474	444	260	564	380	280	240	131	108.5	20	4	4	120	142	130	105	20	490	645	422	30	130	120	380	342	437	25	20	150	262	16	120	145	18	154	198	14	24	0.85			
400	300	614	514	494	300	614	420	318	260	143.5	118.5	20	4	4	143	144	140	120	20	490	670	447	30	130	120	420	367	462	25	20	160	287	16	120	145	18	154	198	14	34	1.2			
500	350	650	500	594	350	714	470	450	260	172.5	86	22.5	8	5	5	134	4	107	20	617	777	567	38	200	220	350	438	562	10	8	PN10	255	16	PN10	PN10	PN10	203	PN10	14	80	2.8			
700	400	940	640	800	850	940	540	425	365	176	145	30	7	4	7	126	4	120.5	15	530	881	650	38	200	220	350	438	562	10	8	PN10	255	16	PN10	PN10	203	PN10	14	125	4.4				
800/800+	500	990	690	1000	1060	1150	950	494	430	190	162.5	20	5	5	6	180	5	176	12	746	1050	803	40	200	220	350	438	562	10	8	PN10	255	16	PN10	PN10	203	PN10	14	125	4.4				
800	OUTLET																				F A B R I C A T E D A S										R E Q U I R E D										225/330		8/11.7	

