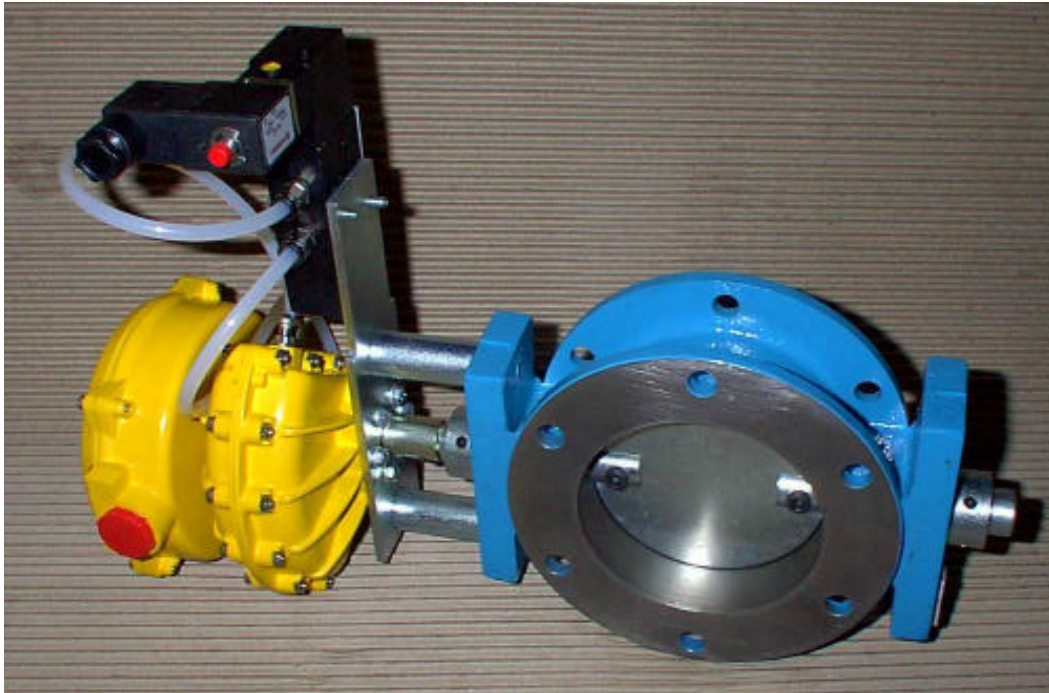




Butterfly Valves Type BV



Applications

- Powder and granule handling where a tight shut off is required
- Throttling conveying air
- Discharging from a silo or IBC
- Shut-off and isolation

Standard features

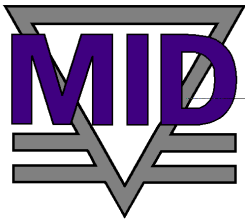
Low break out torque nitrile o ring seals for operation to 60°C
Hand operated with spring loaded latch
Air operated by a quarter turn actuator
Cast iron or aluminium body
Mild steel zinc plated vane and shafts

Optional features

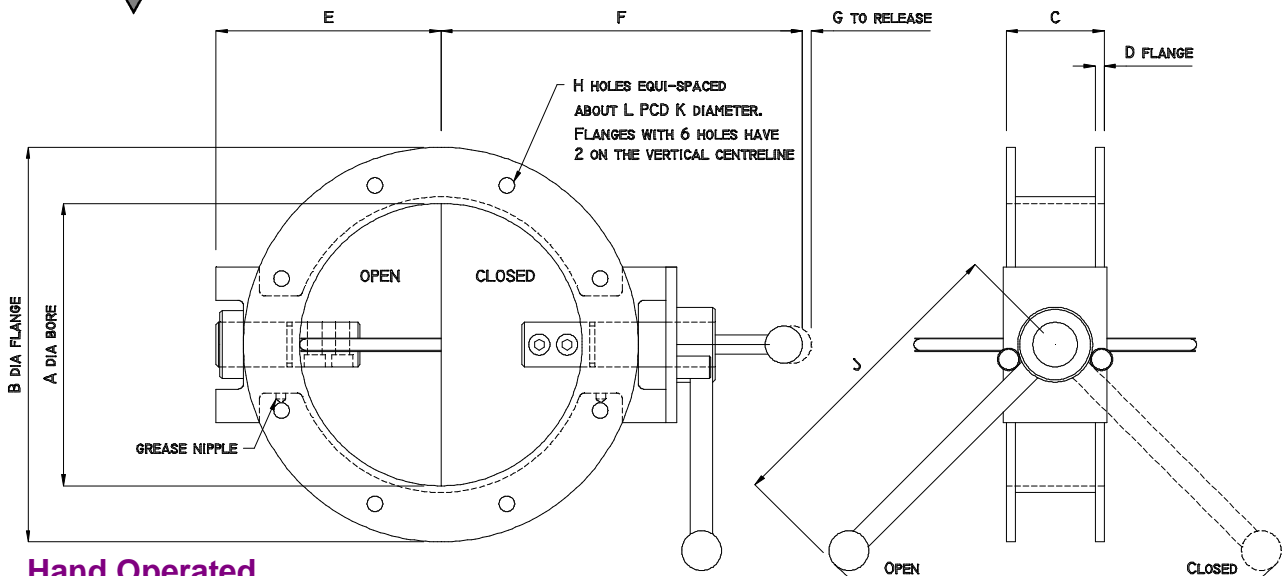
Cast or fabricated stainless steel construction
Range of seal materials (e.g., Viton, EPDM, Silicone)
Metal to metal body seal
Spring return unit
Fail open or close on air or pneumatic failure
Bare shaft or alternative actuators (e.g., electric, air cylinder)
Limit switches for remote indication of valve position
Infinitely variable locking system for hand operated valves
Large and custom built sizes
Wafer type (WBV) also available

Midland Industrial Designers Limited

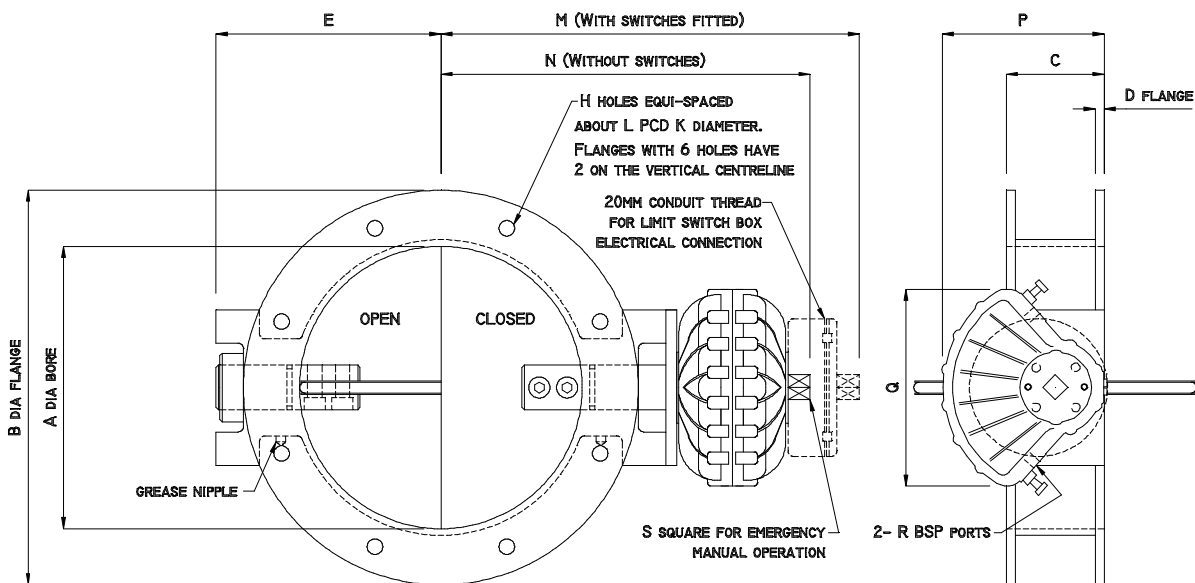
Common Lane, Watnall, Nottingham, England NG16 1HD
Tel: (+44)(0)115 9382154 Fax: (+44)(0)115 9386315
Manufacturers of powder handling equipment since 1962



Butterfly Valves Type BV



Hand Operated



Air Operated

Size	A	B	C	D	E	F	G	H	J	K	L	M	N	P	Q	R	S
3"	76	140	64	8	105	166	6	4	172	11	114	250	202	96	114	1/8"	9
4"	102	165	64	8	100	162	6	6	172	11	140	250	205	120	125	1/8"	9.5
6"	152	230	64	8	130	190	6	6	185	11	196	280	235	120	125	1/8"	9.5
7"	178	255	75	8	128	263	8	6	280	12	220	301	250	79	136	1/8"	16
200	200	305	85	8	178	275	8	8	280	14	260	360	315	150	180	1/4"	16
9"	228	330	85	8	190	300	8	8	280	14	286	375	330	150	180	1/4"	16
10"	254	355	88	8	202	325	8	8	280	14	310	385	340	150	180	1/4"	16
12"	305	405	95	8	230	330	8	8	355	14	362	410	365	150	180	1/4"	16
16"	406	533	102	11	300	420	11	8	465	14	476	565	515	225	295	3/8"	25
20"	508	660	125	13	360	476	11	8	465	14	596	630	575	235	295	3/8"	25

Midland Industrial Designers Limited
 Common Lane, Watnall, Nottingham, England NG16 1HD
 Tel: (+44)(0)115 9382154 Fax: (+44)(0)115 9386315
 Manufacturers of powder handling equipment since 1962