



# Butterfly Valves Type WBV



## Applications

- Powder and granule handling where a tight shut off is required
- Discharging powders from a silo or IBC
- Shut off and isolation
- Throttling conveying air
- Fume extraction systems

## Standard features

Low break away torque allows smaller handles and actuators  
Reliable Kinetrol quarter turn pneumatic actuator  
Thin vane for minimal interference with product flow  
Infinitely variable vane position lock  
Tough cast iron, lightweight aluminium or stainless steel body  
Plated carbon steel or stainless steel vane and shafts  
Easily replaceable vane seal with valve in situ  
Body supplied with gasket O ring each side  
Standard O ring seal materials up to 200°C- Nitrile, Viton, EPDM etc

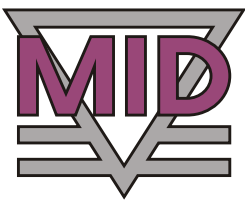
## Options

Metal to metal seat  
High temperatures  
Spring return unit  
Bare shaft for your choice of actuator  
Position indicating switches

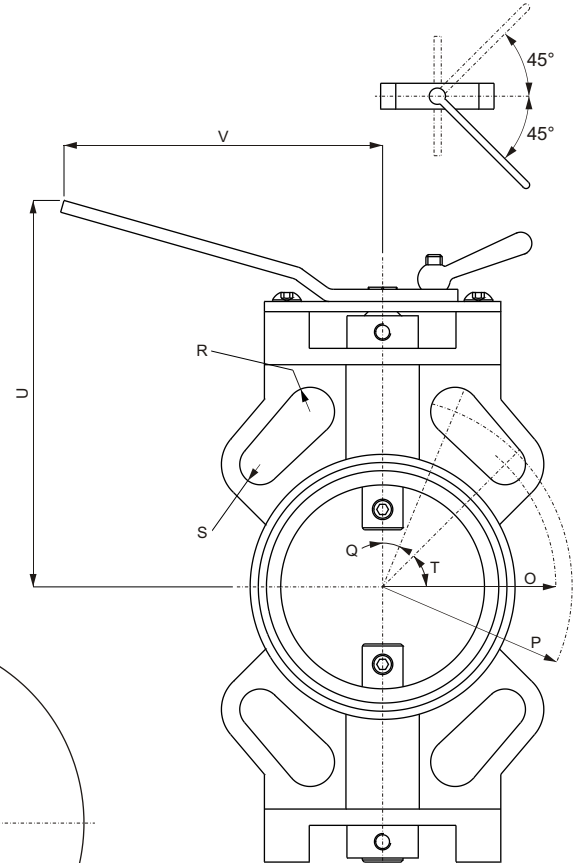
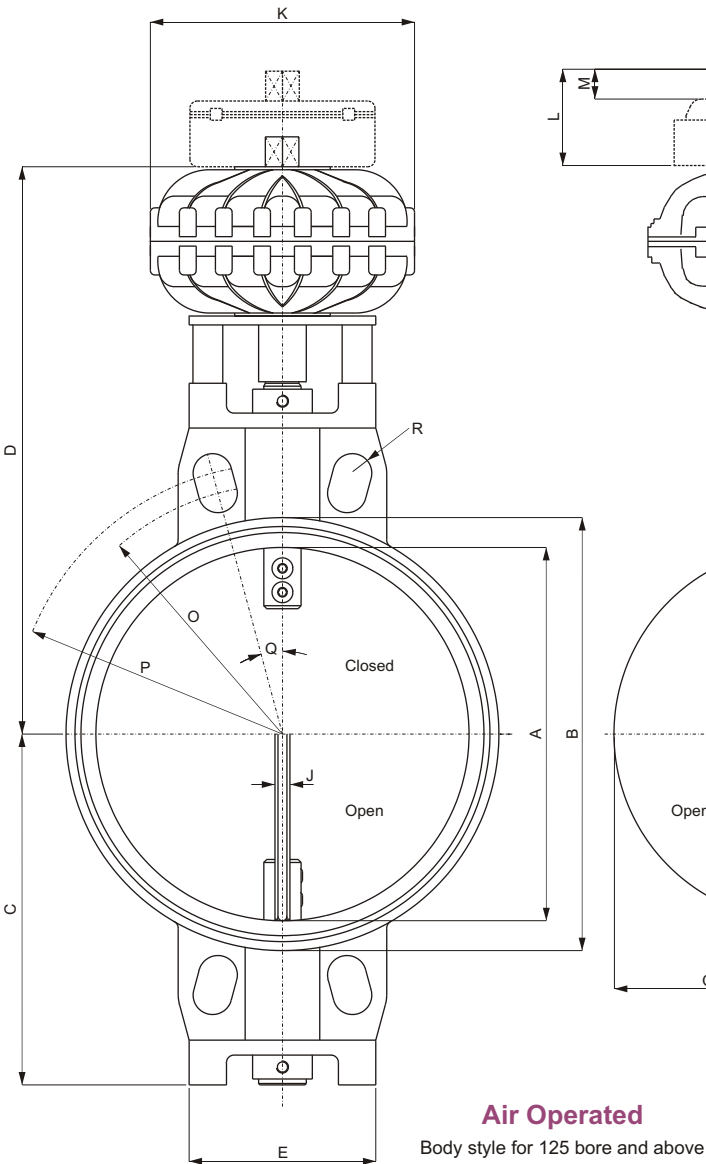
**For larger than standard sizes we custom manufacture to your requirements**

**Midland Industrial Designers Limited**

Common Lane • Watnall • Nottingham • England • NG16 1HD  
Fax: (+44)(0)115 9386315 • Tel: (+44)(0)115 9382154  
Manufacturers of powder handling equipment since 1962



# Butterfly Valves Type WBV



Size	BS4504 PN	BS 10 table	DIN 2501 PN	ANSI 150 sch
80	6 • 16	A • D • E	6 • 10	40
100	6 • 16	F	6 • 10	40
125	6 • 16	D • E	6 • 10 • 16	40
150	6 • 16	D • E	6 • 10	40
200	6 • 16	A • D • E	6 • 10	40
250	6 • 16	E	6 • 10	40
300	6 • 16	E	6 • 10	40
350	6	D • E	6	20
400	6 • 16	-	6 • 10 • 16	20
450	6	E	-	20
500	6 • 16	-	6 • 10 • 16	20

Flange Compatibility

Size	Actuator													Switches									
	A	B	C	D	E	F	G	H	J	K	L	M	N	M	N	O (rad)	P (rad)	Q°	R	S	T°	U	V
80	80	110	121	207	116	34	40	44	6	113	62	12	9	10	8	75	80	22.5	10	10	45	190	180
100	100	130	135	233	116	36	50	48	8	136	64	13	9.5	20	16	85	93	22.5	12	10	45	205	180
125	125	155	148	246	116	38	62.5	50	8	136	64	13	9.5	20	16	100	108	22.5	11	-	-	218	180
150	150	180	160	258	116	46	75	52	8	136	64	13	9.5	20	16	112	121	22.5	11	-	-	230	180
200	200	240	190	335	125	58	100	60	10	178	64	20	16	20	16	140	150	22.5	11	-	-	280	285
250	250	290	235	406	125	64	125	68	10	178	64	20	16	20	16	167	181	15	13	-	-	325	285
300	300	350	270	452	160	70	150	76	12	227	64	26	19	20	16	197	216	15	14	-	-	390	365
350	338	388	295	477	160	70	175	76	12	227	64	26	19	20	16	222	240	15	15	-	-	415	365
400	390	440	337	556	178	70	200	86	12	294	80	31	25	25	25	247	270	33.75	15	-	-	477	450
450	442	492	380	599	222	88	225	100	12	294	80	31	25	25	25	275	292	33.75	16	-	-	520	450
500	488	538	410	629	222	88	250	120	12	294	80	31	25	25	25	300	325	45	17	-	-	550	450

**Midland Industrial Designers Limited**  
 Common Lane • Watnall • Nottingham • England • NG16 1HD  
 Fax: (+44)(0)115 9386315 • Tel: (+44)(0)115 9382154  
 Manufacturers of powder handling equipment since 1962