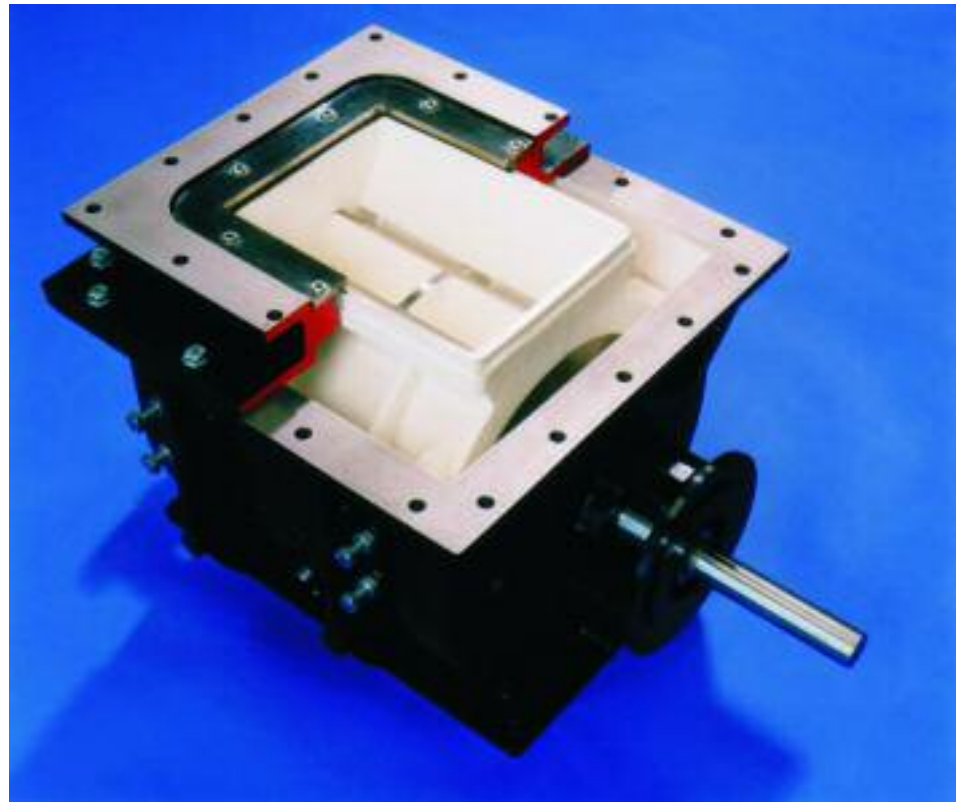
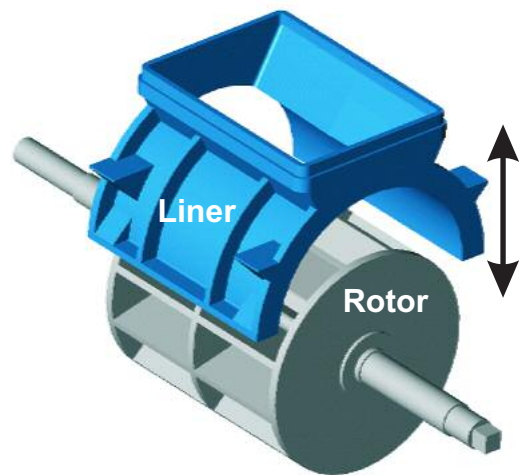




# Rotary Valves

## TWA Extreme Duty



### Description

The TWA extreme duty rotary valve is a dramatic change in design from standard rotary valve technology. The 500 Brinell Ni-hard rotor and liner lasts far longer than even a tungsten carbide coating. As the valve wears, the liner can be adjusted with the valve in-situ to compensate. When worn to its limit, the rotor can be reconditioned and a new liner fitted, making the TWA's long term running costs far less than a standard unit. The use of mechanical shaft seals as standard has eliminated a major maintenance headache- the shaft seals are virtually maintenance free.

### Applications

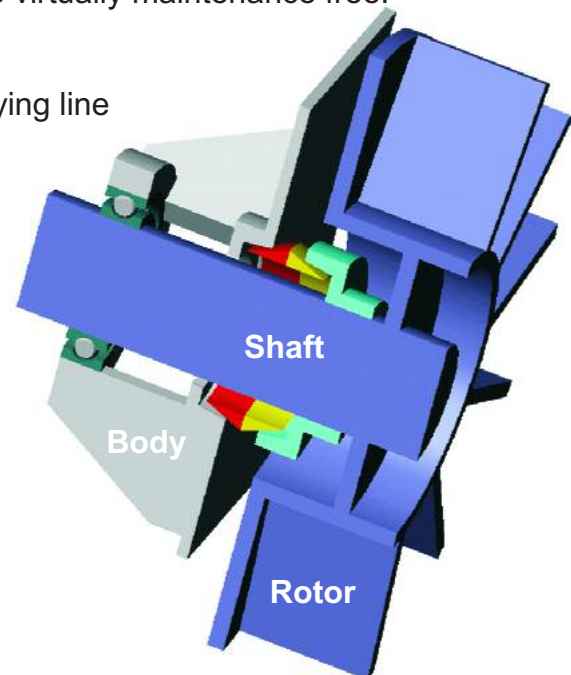
- Providing an airlock between a silo and a pneumatic conveying line
- Feeding and metering abrasive powders and granules

### Standard Features

- Ni-hard rotor
- Ni-hard liner adjustable for wear
- Mechanical, virtually maintenance free shaft seals
- Air purge facility
- Direct, maintenance free IP55 gearmotor
- Outrigged, sealed for life bearings
- Rotor and liner removable for reconditioning

### Optional features

- Ceramic lined rotor and liner
- High temperature version with gland packer shaft seals
- Chain drive
- Drop out box for pneumatic conveying lines



● Mechanical seal

### Midland Industrial Designers Limited

Common Lane, Watnall, Nottingham, England NG16 1HD  
T: (+44)(0)115 9382154 F: (+44)(0)115 9386315  
E: enquiry@mid.uk.com W: www.mid.uk.com  
Manufacturers of powder handling equipment since 1959

