



Rotary Valves

Type SR



Applications

- Feeding and metering powders and granules
- Providing an airlock between a silo and a blowing line
- Especially suitable for poor-flowing products
- Space saving round in/square out design (reversible)

Standard features

Cast iron body
Fabricated carbon steel rotor
Outrigged sealed for life bearings
Double lip type shaft seals
Electrically driven via a guarded chain drive from an IP55 gearmotor
Round inlet, square outlet (may be reversed)

Optional features

Range of body and rotor materials (aluminum, stainless steel . . .)
Various rotor tip styles (friction relieved, polyurethane, adjustable high carbon . . .)
Stuffing box shaft seals
Mechanical, virtually maintenance free shaft seals
Air purged seals
Quick release rotor for frequent cleaning operations
Alternative drives
High temperature version
Alternative flange drilling

For aggressive applications we recommend the TWA extreme duty rotary valve

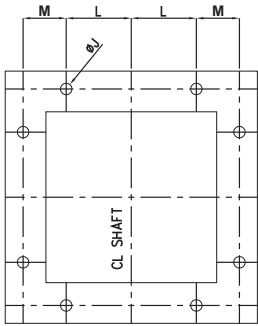
	Internal	External
Zone 0/20	✓	✗
Zone 1/21	✓	✓
Zone 2/22	✓	✓
APD	✓	✗

Midland Industrial Designers Limited
Common Lane • Watnall • Nottingham • England • NG16 1HD
T: (+44)(0)115 9382154 • F: (+44)(0)115 9386315
E: enquiry@mid.uk.com • W: www.mid.uk.com
Manufacturers of powder handling equipment since 1959

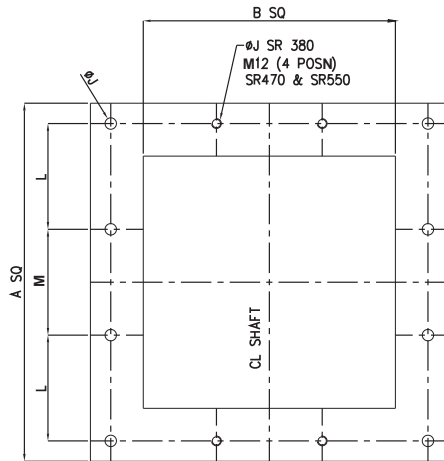


Rotary Valves

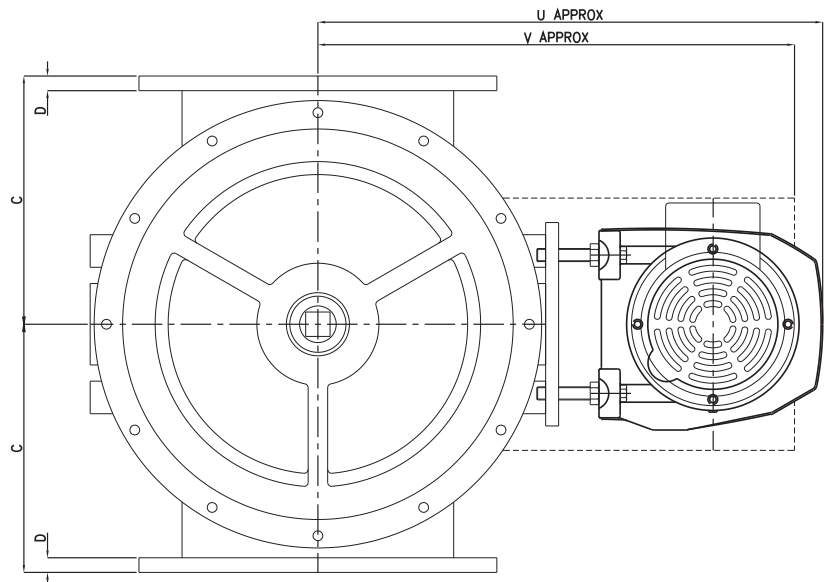
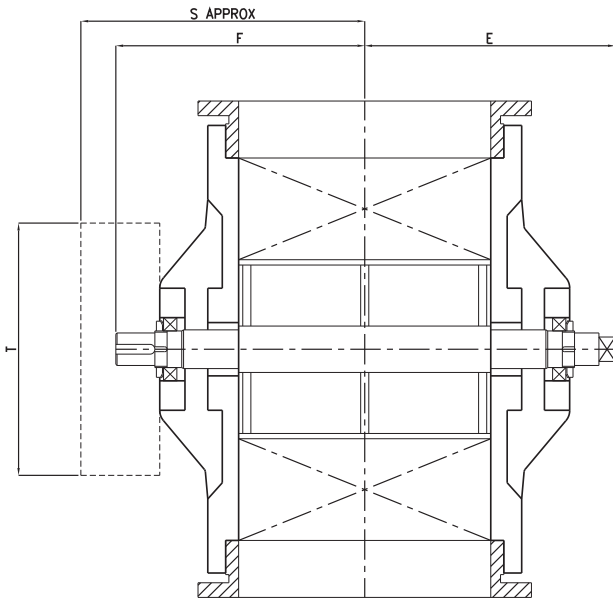
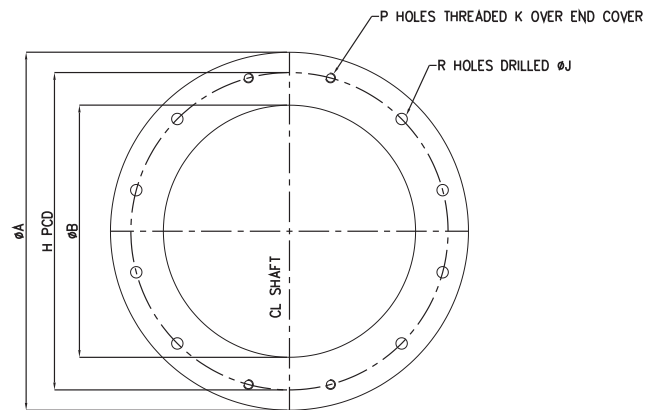
Type SR



SR 190, 250, 320



SR 380, 470, 550



TYPE	A	B	C	D	E	F	G	H	J	K	L	M	N	P	R	S	T	U	V	Capacity	
																				ft ³ /rev	l/rev
190	200	130	130	10	185	215	22	174	12	M10	57	30	6x6	2	4	255	200	345	315	0.1	2.8
250	260	165	165	10	205	265	30	224	14	M12	65	47	8x7	2	4	305	210	415	385	0.23	6.6
320	310	205	205	12	230	265	35	266	14	M12	80	53	10x7	2	6	305	270	515	485	0.48	13.5
380	360	255	255	15	260	340	35	310	14	M12	100	110	10x7	4	8	380	310	560	530	0.78	22.2
470	440	305	305	18	258	306	40	390	14	M12	130	130	12x7	4	8	350	310	620	585	1.5	42.5
550	490	345	345	20	332	380	40	440	14	M12	145	150	12x7	4	8	367	310	660	625	2.3	65

Please note the type refers to the rotor diameter, not the inlet
Dimensions may vary depending on the options selected