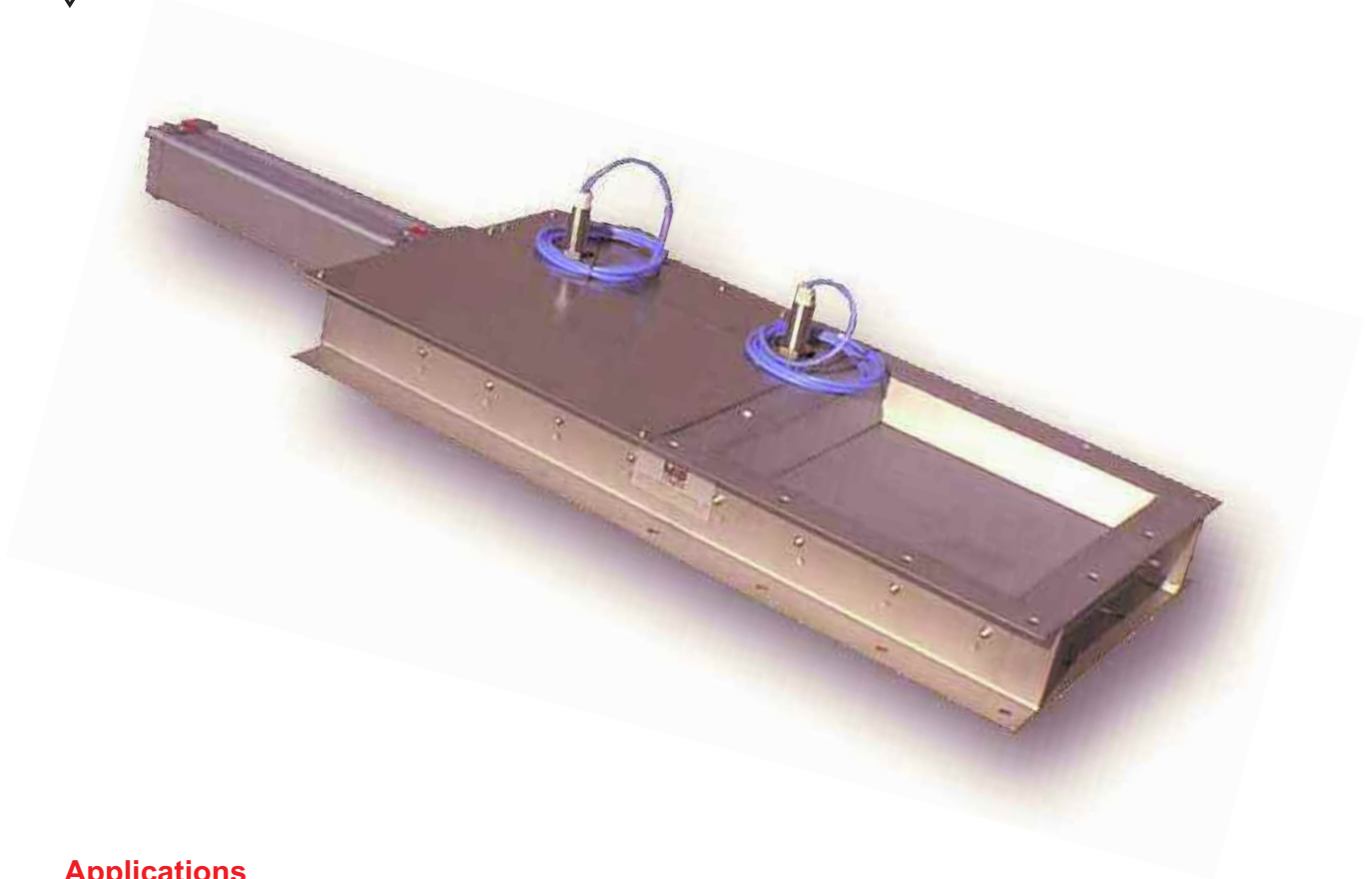




Slide Valves Type FSVN



Applications

- Controlling powder and granule flow from a hopper or conveyor

Standard features

Non-intrusive frame for easy product flow
Pneumatic or handwheel operation
Stuffing box plate seal
Brass or nylon stud plate support (sealed rollers on 500 and above)
Carbon or stainless steel slide plate
Carbon steel, stainless steel or aluminium body

Optional features

Round inlet and outlet
High temperature version
Non-standard, very large, very small or odd shaped sizes
Special seal-less design for very abrasive materials (sand, cement...)
Sealed roller bearing plate support
Inflatable seals
Electric or hydraulic operation
Range of body and slide materials (Hastelloy, Alloy 20, titanium...)

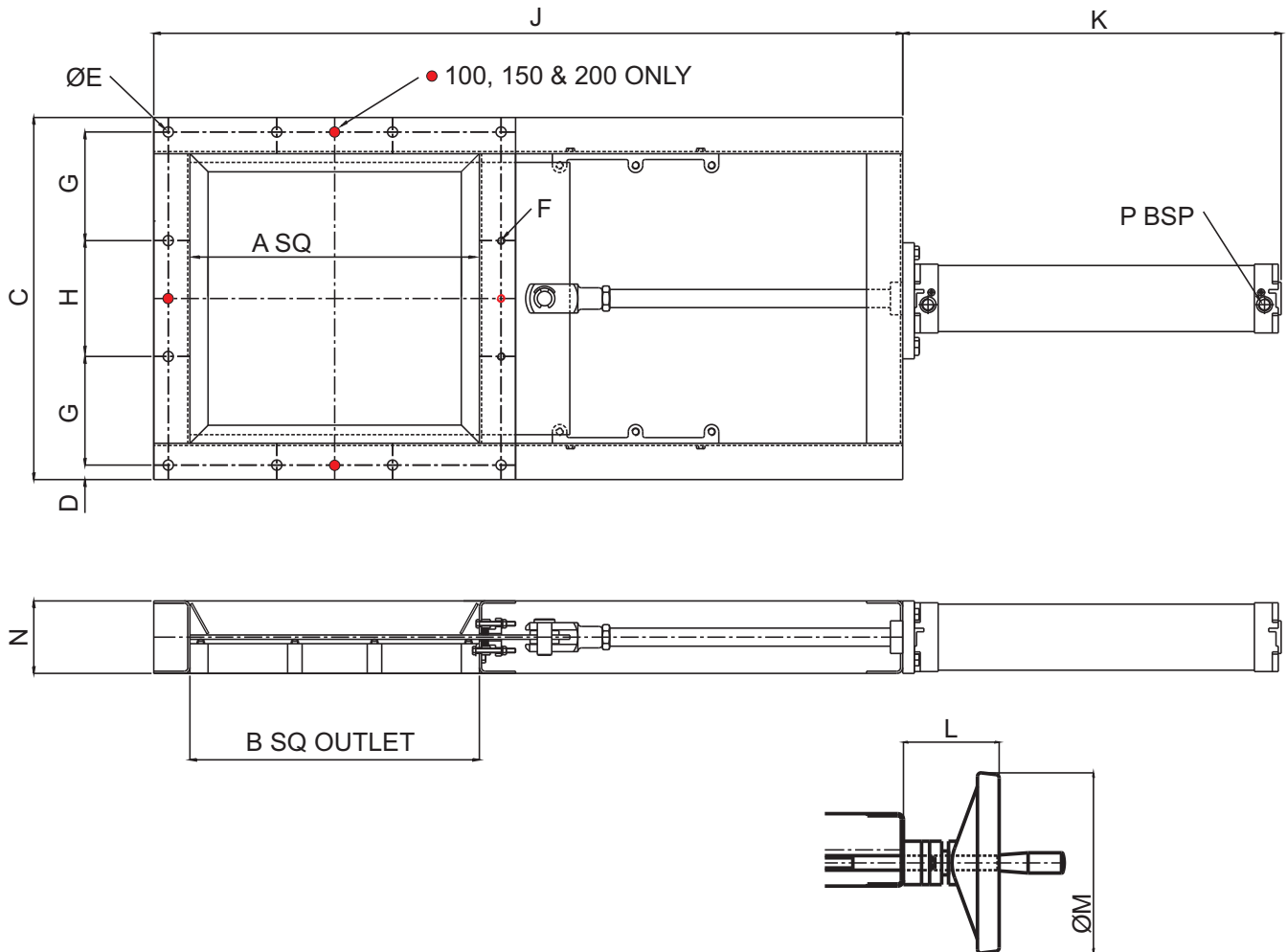
For more aggressive applications we recommend the TESV totally enclosed slide valve

Midland Industrial Designers Limited

Tel: (+44)(0)115 9382154 • Fax: (+44)(0)115 9386315
Email: support@mid.uk.com • Web: www.mid.uk.com
Manufacturers of powder handling equipment since 1962
Common Lane, Watnall, Nottingham, England NG16 1HD



Slide Valves Type FSVN



Size A	B	C	D	E	F	G	H	J	K	L	M	N	P
150	150	250	20	12	M10	-	-	510	231	125	200	100	1/4
200	200	300	20	12	M10	-	-	610	281	125	200	100	1/4
250	250	350	20	12	M10	-	-	710	346	125	200	100	1/4
300	300	400	20	12	M10	120	120	835	408	125	200	100	1/4
350	350	450	20	12	M10	135	140	935	458	125	200	100	1/4
400	400	500	20	12	M10	150	160	1035	508	125	200	100	1/4
450	450	550	20	12	M10	170	170	1135	568	125	200	100	1/4
500	500	600	20	12	M10	185	190	1235	618	125	200	100	1/4
550	550	650	20	12	M10	200	210	1335	668	125	200	100	1/4
600			T	O		O	R	D	E	R			
700													
800													

Midland Industrial Designers Limited

Tel: (+44)(0)115 9382154 • Fax: (+44)(0)115 9386315

Email: support@mid.uk.com • Web: www.mid.uk.com

Manufacturers of powder handling equipment since 1962

Common Lane, Watnall, Nottingham, England NG16 1HD