



# Butterfly Valves Type BV



## Applications

- Powder and granule handling where a tight shutoff is required
- Throttling conveying air
- Discharging from a silo or IBC
- Shut off and isolation
- Controlling the flow of gases

## Standard Features

Low break-out torque O ring seals- smaller actuators and handles  
Easy to change vane seal with the valve in-situ  
Reliable Kinetrol 1/4 turn pneumatic actuator  
Position indicating switches  
Solenoid control valve- single and double coil  
Air fail spring return unit  
Spring loaded handle latch or infinite lock  
Hard wearing cast iron body  
Lightweight aluminium body  
Corrosion resistant stainless steel body and contact parts  
Hard wearing carbon steel vane and shafts  
Nitrile, Viton, EPDM, metal to metal or PTFE seals  
Alternative wafer pattern (WBV) fits between standard flanges

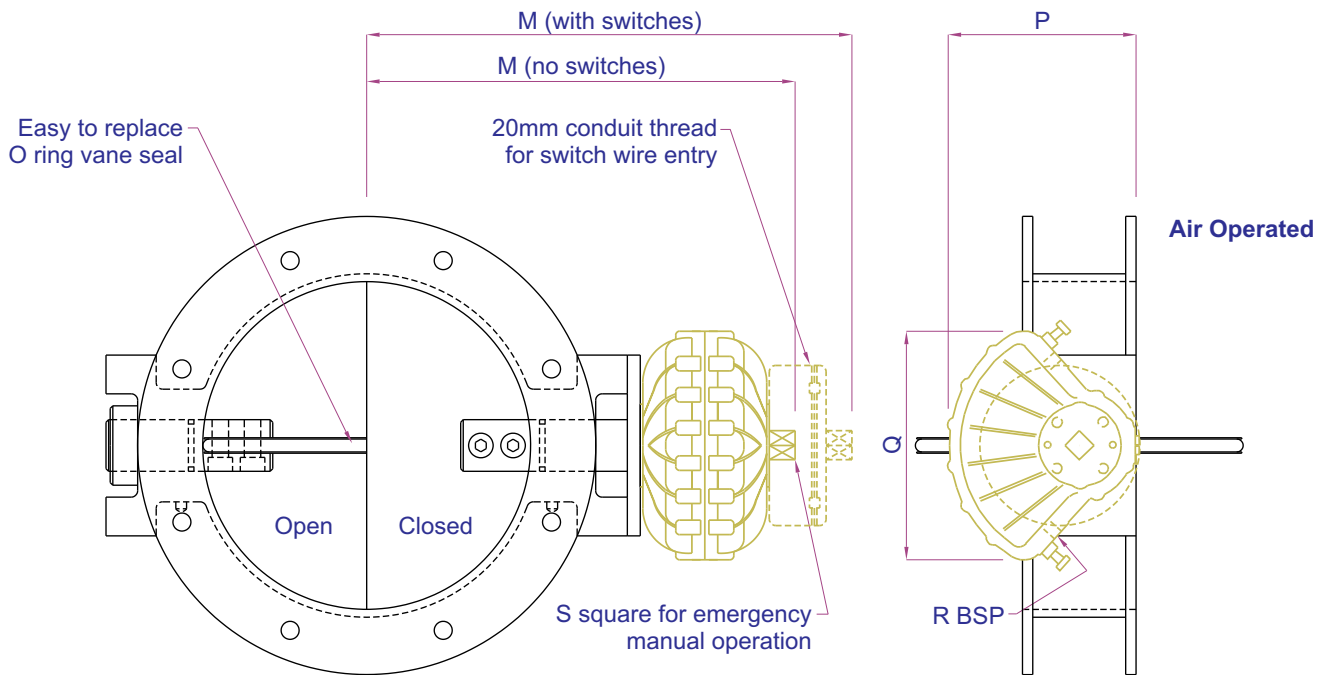
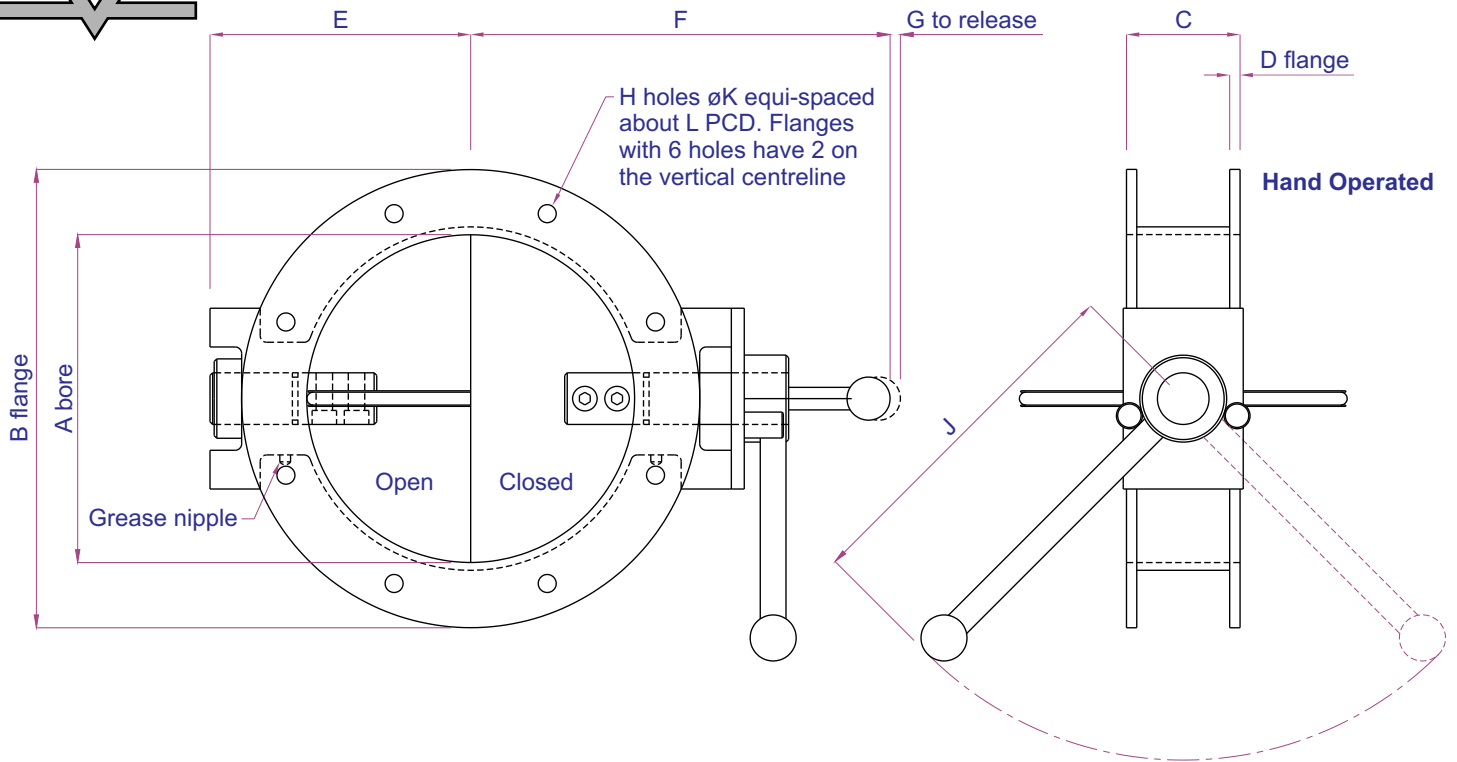
## Options

Bare shaft for you to fit your own actuator  
High temperature (800°C +) gland packing shaft seals  
Extended handle and actuator mounting  
Exotic materials (Hastelloy, Kalrez)  
Custom designed units (very large or small, special applications)

**Midland Industrial Designers Limited**  
Common Lane • Watnall • Nottingham • England • NG16 1HD  
T: (+44)(0)115 9382154 • F: (+44)(0)115 9386315  
E: enquiry@mid.uk.com • W: www.mid.uk.com  
Manufacturers of powder handling equipment since 1962



# Butterfly Valves Type BV



Size	A	B	C	D	E	F	G	H	J	K	L	M	N	P	Q	R	S
3"	76	140	64	8	105	166	6	4	172	11	114	250	202	96	114	1/8"	9
4"	102	165	64	8	100	162	6	6	172	11	140	250	205	120	125	1/8"	9.5
6"	152	230	64	8	130	190	6	6	185	11	196	280	235	120	125	1/8"	9.5
7"	178	255	75	8	128	263	8	6	280	12	220	301	250	79	136	1/8"	16
200	200	305	85	8	178	275	8	8	280	14	260	360	315	150	180	1/4"	16
9"	228	330	85	8	190	300	8	8	280	14	286	375	330	150	180	1/4"	16
10"	254	355	88	8	202	325	8	8	280	14	310	385	340	150	180	1/4"	16
12"	305	405	95	8	230	330	8	8	355	14	362	410	365	150	180	1/4"	16
16"	406	533	102	11	300	420	11	8	465	14	476	565	515	225	295	3/8"	25
20"	508	660	125	13	360	476	11	8	465	14	596	630	575	235	295	3/8"	25

**Midland Industrial Designers Limited**

Common Lane • Watnall • Nottingham • England • NG16 1HD

T: (+44)(0)115 9382154 • F: (+44)(0)115 9386315

E: enquiry@mid.uk.com • W: www.mid.uk.com

Manufacturers of powder handling equipment since 1962