



# Rotary Valves Type BTV



## Applications

- Feeding powders and granules into a blowing line

## Standard features

Cast iron or aluminium body  
Fabricated mild steel rotor  
Sealed for life bearings  
Single or double lip type shaft seals  
Electrically driven via a guarded chain drive from an IP54 gearmotor  
BS4504 PN6, DIN2501 PN6, ANSI 150 round inlet and outlet

## Optional features

Range of body and rotor materials (stainless steel . . .)  
Various rotor tip styles (friction relieved, polyurethane, adjustable high carbon . . .)  
Stuffing box shaft seals (see shaft seal data sheet)  
Outrigged bearings  
Air purged seals (see shaft seal data sheet)  
Alternative drives  
High temperature version

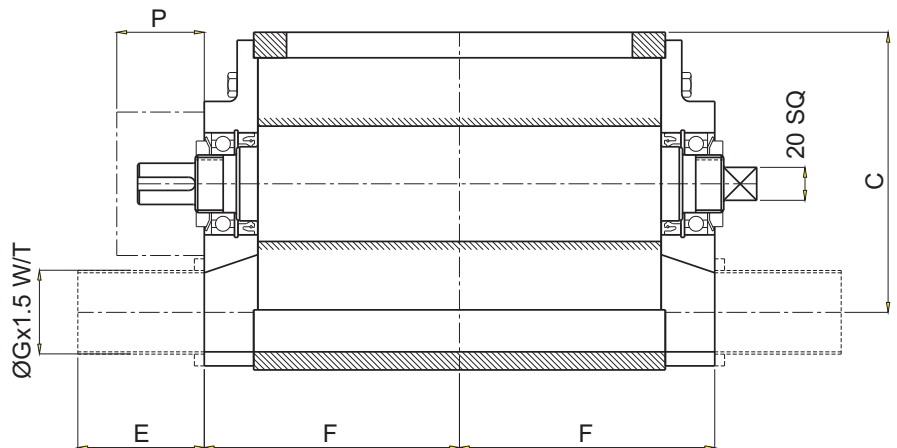
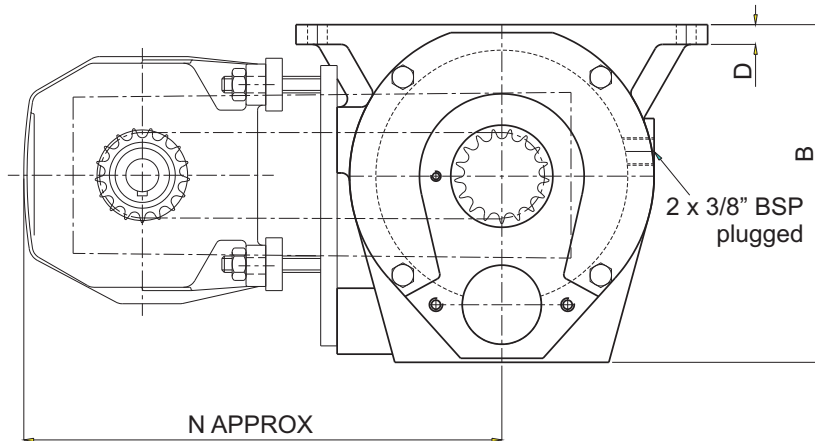
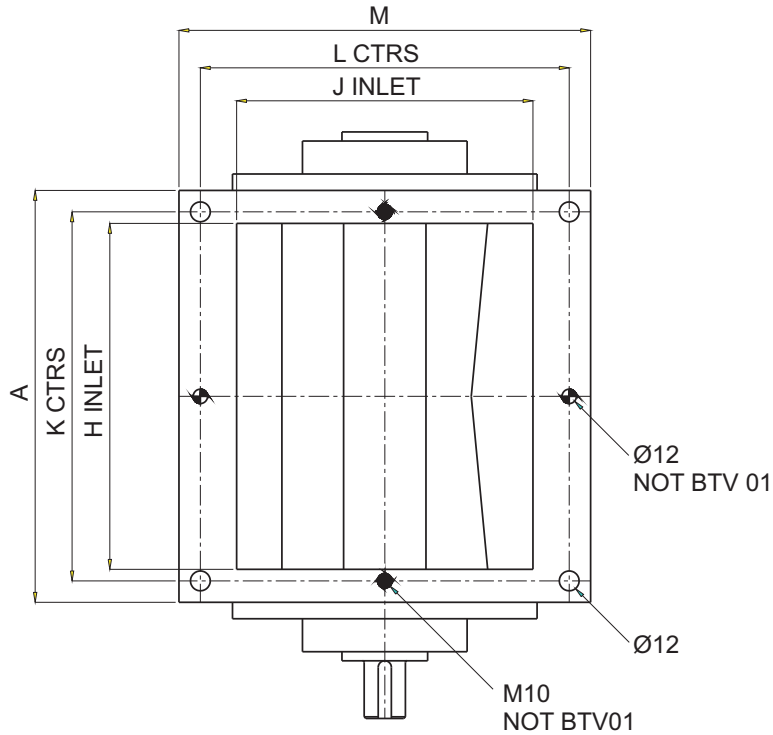
**For more aggressive applications we recommend RBS heavy duty blowing seal**

## Midland Industrial Designers Limited

Common Lane, Watnall, Nottingham, England NG16 1HD  
Tel: (+44)(0)115 9382154 Fax: (+44)(0)115 9386315  
Manufacturers of powder handling equipment since 1959



# Rotary Valves Type BTV



Tube diameter G can be made to suit.  
 Tube length E can be made to suit.  
 Standard rotor speed 20 rpm.  
 Painted white gloss externally.  
 Internally unpainted.

Size	A	B	C	D	E	F	G	H	J	K	L	M	N	P	I/rev
01	250	207	170	12	50	155	41.3	210	180	224	224	250	355	55	2.8
02	350	270	225	12	60	192	50.8	280	230	270	270	300	395	60	5.6
04	390	330	275	15	80	207	76.3	310	290	360	340	270	410	60	11.3